

The
Westland Sikorsky "55"



is fitted with

TYRES, WHEELS, BRAKES
and BRAKE OPERATING EQUIPMENT

by **DUNLOP**

DUNLOP RUBBER CO LTD (AVIATION DIVISION) FOLESHILL COVENTRY
44/626



WHEN AIRBORNE

The Bristol Type 173 Twin Rotor Helicopter relies on Layrub as the main driving elements between engines and rotors.

Rubber trunnion blocks are used giving a cushioned drive: there are no metal-to-metal contacts: no lubrication, therefore little maintenance.

A Post card will see full technical data on its way to you.

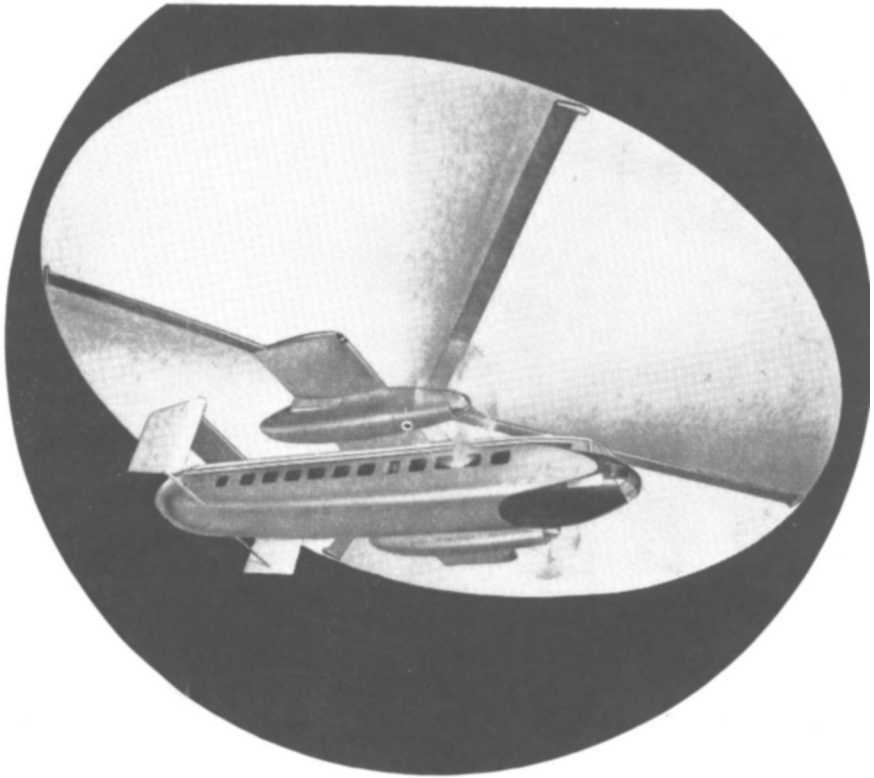


Laycock

Layrub serves shock-free without-lubrication

W. P. H. Company

LAYCOCK ENGINEERING LTD., VICTORIA WORKS, MILLHOUSES, SHEFFIELD, 8



Lord Mancroft “ The Ministry of Supply have recently ordered a second Rotodyne prototype in order to accelerate this development, and we have high hopes that it will be able to compete successfully with any other helicopter in the world ”

Hansard 20 Oct 1954

FAIREY

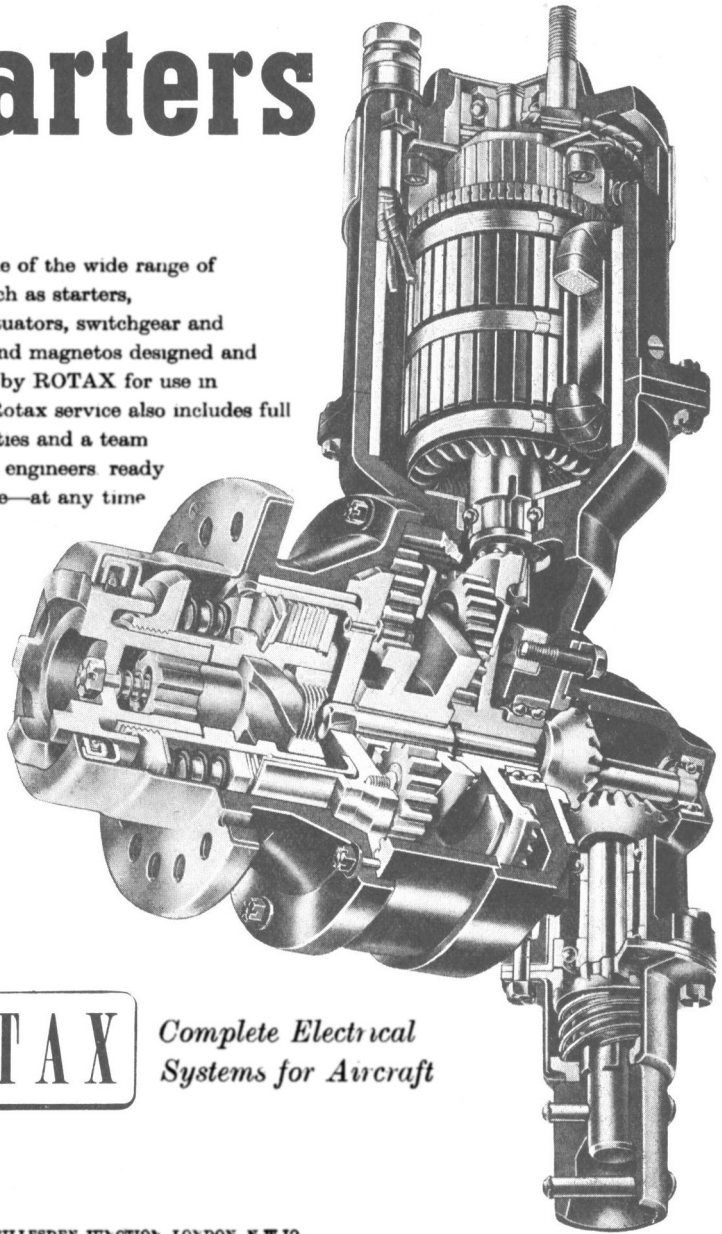
ROTODYNE

THE FAIREY AVIATION CO LTD HAYES MIDDLESEX

EQUIPMENT FOR ROTARY WING AIRCRAFT .

Starters

This unit is one of the wide range of equipment, such as starters, generators, actuators, switchgear and booster coils and magnetos designed and manufactured by ROTAX for use in helicopters. Rotax service also includes full advisory facilities and a team of experienced engineers ready to go anywhere—at any time.



ROTAX

*Complete Electrical
Systems for Aircraft*

ROTAX LIMITED WILKINSON JUNCTION LONDON N.W.10.

LUCAS-ROTAX (AUSTRALIA) PTY. LTD. NEPEAN HIGHWAY CHELTENHAM S.22. VICTORIA AUSTRALIA
LUCAS-ROTAX LTD. SCARBOROUGH ONTARIO CANADA



The heart of a good helicopter

A helicopter engine that works without driving shafts and driving gear—that's the Napier Oryx. It's a 750 gas h p turbo gas generator designed for helicopters propelled by jet reaction at the rotor blade tips. It weighs less, it's less complex and it's easier to maintain than conventional helicopter power systems. The Oryx is a step forward—and upward—in helicopter propulsion and an engine of great importance to helicopter operators.

NAPIER **Oryx** turbo gas generator

D NAPIER AND SON LIMITED LONDON W 3

CR002

LIGHT SERIES. These joints are designed specially for the aircraft industry a id are of light alloy (Spec L 40) anodised Trunnion pins in hardened and ground steel cadmium plated. They withstand some tension and compression loads and are available in a wide range of sizes



Hooke's universal joints
for high speed
dependability

Well suited to high speed drives these joints can be used where tension and compression loads occur and often eliminate the need for telescoping sleeves. They are made from 45-50 tons alloy steel to Air Board specification with hardened steel trunnion blocks.

AIR MINISTRY GAUGE TEST HOUSE AUTHORITY B9755(31)
THE MOLLART ENGINEERING CO LTD
KINGSTON BY PASS SURREY ENGLAND
PHONE: ELMBRIDGE 00337

Protect Your Journals

Binders in which "The Journal of the Helicopter Association of Great Britain" can be readily clipped for preservation and easy reference are obtained from the Association Offices

4, THE SANCTUARY,
WESTMINSTER,
LONDON, S W 1

Each Binder will hold eight numbers covering two volumes, and are lettered in gold on the spine

PRICE 13/9 (post free)

*The Council of The Helicopter Association of Great Britain
wish to record their appreciation of Advertisers' support*

Redifon

FLIGHT
SIMULATOR
DIVISION

KELVIN WAY CRAWLEY SUSSEX

SAUNDERS-ROE
(HELICOPTER DIVISION)

EASTLEIGH SOUTHAMPTON

ALVIS LIMITED



HOLYHEAD ROAD COVENTRY
Telephone Coventry 5501

ALL-BRITISH
Lockheed
REG. TRADE MARK

AIRCRAFT EQUIPMENT

UNDERCARRIAGES
HYDRAULIC SYSTEMS
FUEL SYSTEMS
ELECTRICAL COMPONENTS

Dowty Equipment Ltd.
CHELTENHAM

**HUNTING PERCIVAL
AIRCRAFT LIMITED**
(formerly PERCIVAL AIRCRAFT LTD.)



A HUNTING GROUP COMPANY
LUTON AIRPORT, BEDFORDSHIRE,
ENGLAND

Pioneers of Rotating Wing Aircraft



Bristol

173 and 171 HELICOPTER

THE BRISTOL AEROPLANE
COMPANY LIMITED

DUNLOP

TYRES
WHEELS
& BRAKES



BRITISH MESSIER LTD
CHELTENHAM RD EAST GLOUCESTER

ELECTRO-HYDRAULICS LIMITED



Undercarriages
Hydraulic
Electro Hydraulic and
Pneumatic Equipment

LIVERPOOL ROAD
WARRINGTON

Telephone Warrington 2244

LAYRUB

Flexible Couplings

by

LAYCOCK
Engineering Ltd
SHEFFIELD

THE FAIREY AVIATION CO. LTD.



Hordern-Richmond Ltd.

MANUFACTURERS OF

Helicopter Rotor Blades

HYDULIGNUM WORKS HADDENHAM BUCKS
TELEPHONE: AYLESBURY 1100-1102

KELVIN & HUGHES (AVIATION) LTD



NEW NORTH ROAD BARKINGSIDE ESSEX
TEL HAINAULT 2601
WINCHESTER ROAD BASINGSTOKE HANTS
TEL BASINGSTOKE 690

**E. N. V. ENGINEERING
CO, LTD**

**HYTHE ROAD, WILLESDEN
LONDON, N W 10**

for

Gears for Rotor Drives

SMITHS

SMITHS AIRCRAFT INSTRUMENTS LTD

THE
FAIREY 'ROTODYNE'

will be powered by two
ELAND propeller turbines

by

NAPIER

**COMPLETE
ELECTRICAL SYSTEMS
for AIRCRAFT by**

ROTAX



**Symbols of service to
Aviation
throughout the years**



THE SPERRY GYROSCOPE CO
LTD



STANDARD TELEPHONES & CABLES
LIMITED

**Standard
Radio**

NEW SOUTHGATE LONDON N 11
Telephone Enterprise 1234



**WESTLAND
S 55 & S 51 HELICOPTERS**

WESTLAND AIRCRAFT LTD YFOVIL ENGLAND



ENV spiral bevel gears used in Westland S 55 main rotor drive

ENV

for Gears

Specialists in precision gears for piston-engines and gas turbines, helicopter drives, accessory drives and flying controls
Spur and helical gears and spiral bevel, zerol and hypoid gears are supplied with profile ground teeth when required

ENV ENGINEERING CO LTD



HYPHE ROAD WILLESDEN NW 10

AP 265 24

MADE IN ENGLAND

TIMKEN

TAPERED-ROLLER BEARINGS IN HELICOPTERS

*Illustration by courtesy of
The Bristol Aeroplane Company Limited*

BRITISH TIMKEN LTD.
DUSTON, NORTHAMPTON, & BIRMINGHAM

REGD TRADE MARK · TIMKEN

