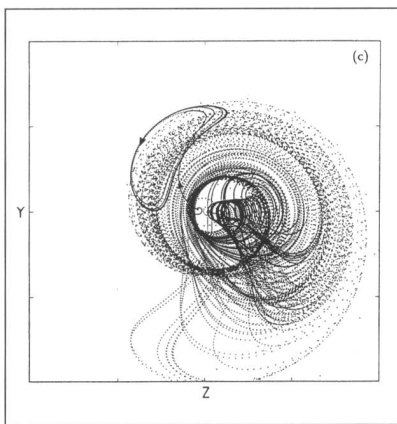
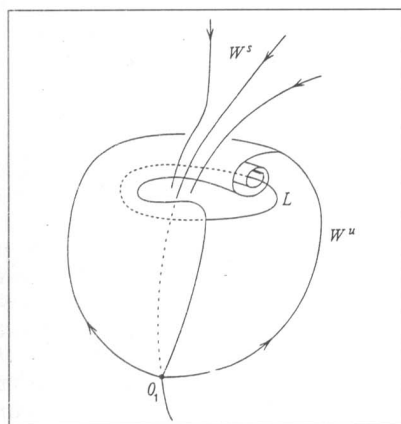
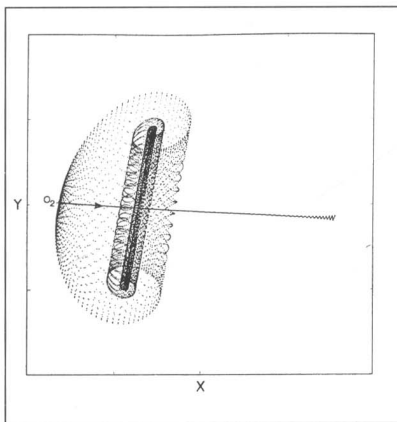
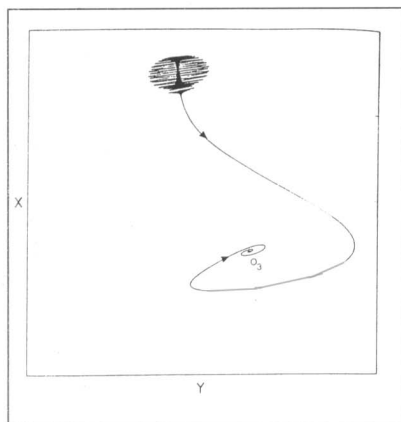


Figures appearing in EDITOR'S CHOICE are those arising from materials research which strike the editor's fancy as being aesthetically appealing and eye-catching. No further criteria are applied and none should be assumed. When taken out of context, such figures often evoke images beyond and unrelated to the original meaning. Submissions of candidate figures are welcome and should include a complete source citation, a photocopy of the report in which it appears (or will appear), and a reproduction-quality original drawing or photograph of the figure in question.



EDITOR'S CHOICE normally reproduces an illustration and, while alluding to its more aesthetic qualities in an extended caption, actually manages to sandwich in its true technical origins. We were therefore of two minds when struggling with this month's choice. The conundrum lay in the distance of the figures' field from our own technical home. In other words, we liked their looks but have only the foggiest comprehension of the analyses underlying them. Perhaps art does not demand understanding, but EDITOR'S CHOICE does. A. Shil'nikov, G. Nicolis, and C. Nicolis, in a paper entitled "Bifurcation and Predictability Analysis of a Low-Order Atmospheric Circulation Model" (*Bifurcation and Chaos* 5[1995] pp. 1701-1711), explain how they generated curves that simulate the unpredictable behavior of thermally driven air currents. To clear the fog, citing their work must suffice. Who knows? Bifurcation and chaos may well also apply to currents in weld pools closer to home, not to mention to our own EDITOR'S CHOICE(S). Such surreal descriptions as homoclinic bifurcations, saddle nodes and foci, chaotic attractors, whirlpool repellers, and invariant tori apply somehow to these simulations. Nevertheless, we respectively prefer to see them (counterclockwise from the upper right) as the curler, the kite, the heart, and l'escargot.

National Science Foundation

Materials Chemistry Workshop October 15 - 18, 1998 Morristown, New Jersey

The organizing committee for the NSF-sponsored annual workshop on Materials Chemistry invites applications from individuals interested in participating in the 1998 workshop.

These workshops provide a forum for vigorous discussion of the latest results in the area of Materials Chemistry, including studies of the synthesis, characterization and properties of polymers, molecular crystals, inorganic solids, hybrid materials, biomaterials and surfaces.

To ensure full consideration, applications should be received by **June 1, 1998**.

Applications consist of a one-page abstract of the proposed discussion topic, a one-page CV and a list of publications for the last three years, and should be sent to:

Prof. Catherine Page
Department of Chemistry
1253 University of Oregon
Eugene, OR 97403-1253

Advertisers in This Issue

| | Page No. |
|-------------------------------------|--------------------|
| Chemat Technology Inc. | 9 |
| EDAX, Inc. | 19 |
| Electrochemical Society | 7 |
| High Voltage Engineering | Inside front cover |
| Huntington Laboratories | Outside back cover |
| Innovations in Materials Conference | 15 |
| MDC Vacuum Products Corp. | Inside back cover |
| MMR Technologies, Inc. | 47 |
| Solartron | 3 |
| Virginia Semiconductor, Inc. | 8 |
| Voltaix, Inc. | 5 |

For free information about the products and services offered in this issue, fill out and mail the Reader Service Card, or FAX it to 312-922-3165.

**TO PLACE YOUR AD
CONTACT
MARY E. KAUFOLD TODAY!**

**724-779-8312 or
kaufold@mrs.org**

MRS area code has changed to 724. Phone: 724-779-3003 Fax: 724-779-8313
E-mail addresses and MRS website remain unchanged.