

Edinburgh Mathematical Society.

LIST OF MEMBERS.

NINETEENTH SESSION 1900-1901.

- 1 V. RAMASWAMI AIYAR, M.A., Prob. Dy. Collector, Trichinopoly, India.
ROBERT J. ALEY, Professor of Mathematics, Indiana University, Bloomington, Indiana, U.S.A.
JOHN ALISON, M.A., F.R.S.E., George Watson's College, Edinburgh.
R. E. ALLARDICE, M.A., Professor of Mathematics, Leland-Stanford Junior University, Palo Alto, California.
- 5 ERNEST M. ANDERSON, M.A., B.Sc., 65 Warrender Park Road, Edinburgh.
WILLIAM ANDERSON, M.A., Science Master, Bruntsfield School, Edinburgh.
JAMES ARCHIBALD, M.A., 52 Polwarth Gardens, Edinburgh (*Honorary Treasurer*).
PAUL AUBERT, Professeur au Collège Stanislas, Paris.
A. J. GUNION BARCLAY, M.A., F.R.S.E., High School, Glasgow.
- 10 E. P. BARRETT, B.A., Marling School, Stroud.
J. C. BEATTIE, D.Sc., F.R.S.E., Professor of Applied Mathematics and Experimental Physics, South African College, Cape Town.
ROBT. J. T. BELL, M.A., B.Sc., Portland Park, Hamilton.
PETER BENNETT, Glasgow and West of Scotland Technical College, Glasgow.
JAMES BOLAM, Government Navigation School, Leith.
- 15 HENRY A. BRAINE, M.A., Headmaster, Castle Douglas.
ALEX. BROWN, M.A., B.Sc., Gonville and Caius College, Cambridge.
H. H. BROWNING, M.A., 128 Byres' Road, Glasgow.
J. BRUCE-KINGSMILL, R.A., The Ordnance College, Woolwich.

- JAMES BUCHANAN, M.A., 9 St Andrew Square, Edinburgh.
- 20 A. G. BURGESS, M.A., Ladies' College, Queen Street, Edinburgh.
 J. R. BURGESS, M.A., Merchiston Castle, Edinburgh.
 J. W. BUTTERS, M.A., B.Sc., F.R.S.E., Rector, The Academy,
 Ardrossan (*President*).
 HORATIO S. CARSLAW, M.A., D.Sc., Lecturer in Mathematics,
 University, Glasgow.
- 25 CHARLES CHREE, M.A., D.Sc., F.R.S., 25 Mount Ararat Road,
 Richmond, Surrey.
 GEORGE CHRYS TAL, M.A., LL.D., F.R.S.E., Professor of Mathe-
 matics, University, Edinburgh (*Hon. Member*).
 J. B. CLARK, M.A., F.R.S.E., George Heriot's School, Edinburgh.
 S. H. COWAN, R.E., Morebattle, Kelso.
 G. E. CRAWFORD, M.A., Wykeham House, Manilla Road,
 Clifton, Bristol.
- 30 LAWRENCE CRAWFORD, M.A., D.Sc., Professor of Mathematics,
 South African College, Cape Town.
 G. A. DAVIS, Edinburgh.
 R. F. DAVIS, M.A., 12 Rusthall Avenue, Acton Green,
 London, W.
 J. D. HAMILTON DICKSON, M.A., F.R.S.E., Peterhouse, Cam-
 bridge.
 J. MACALISTER DODDS, M.A., Peterhouse, Cambridge.
- 35 CHAS. S. DOUGALL, M.A., High School, Newton Stewart.
 JOHN DOUGALL, M.A., Kippen, Stirlingshire.
 DAVID DRYSDALE, M.A., George Heriot's School, Edinburgh.
 GEORGE DUTHIE, M.A., F.R.S.E., Director-General of Educa-
 tion, Rhodesia (*Vice-President*).
 JAMSHEDJI EDALJI, Professor, Gujarat College, Ahmedabad.
- 40 GEORGE EDNIE, M.A., B.Sc., Allan Glen's School, Glasgow.
 ALEX. EDWARD, M.A., Harris Academy, Dundee.
 J. EDWARD, M.A., The Academy, Ardrossan.
 ARCH. C. ELLIOT, D.Sc., C.E., Professor of Engineering,
 University College, Cardiff.
 R. M. FERGUSON, Ph.D., LL.D., F.R.S.E., 5 Douglas Gardens,
 Edinburgh.
- 45 JAMES FINDLAY, 11 Morningside Gardens, Edinburgh.
 MARGARET FORREST, 1 Magdala Crescent, Edinburgh.
 Rev. NORMAN FRASER, B.D., Saffronhall Manse, Hamilton.
 E. P. FREDERICK, M.A., Routenburn School, Largs, Ayrshire.

- GEORGE A. GIBSON, M.A., F.R.S.E., Professor of Mathematics, Glasgow and West of Scotland Technical College, Glasgow.
- 50 JAMES GOODWILLIE, M.A., B.Sc. Liberton, Edinburgh.
 W. J. GREENSTREET, M.A., Headmaster, Marling School, Stroud.
 P. S. HARDIE, M.A., B.Sc., The Academy, Rothesay.
 R. P. HARDIE, M.A., Assistant to the Professor of Logic, University, Edinburgh.
 WILLIAM HARVEY, B.A., LL.B., 53 Castle Street, Edinburgh.
- 55 DAVID H. HENDERSON, Vice-Principal, Boys' School, Kimberley, Cape Colony.
 ALEX. HOLM, M.A., Girls' High School, Glasgow.
 JAMES HORNE, M.A., George Watson's College, Edinburgh.
 JOHN JACK, M.A., Professor of Mathematics, Wilson College, Bombay.
 Rev. FRANK H. JACKSON, M.A., R.N., Chaplain and Naval Instructor, H.M.S. Dido, Mediterranean.
- 60 D. M. JOHNSTONE, M.A., B.Sc., Science Master, Spier's School, Beith.
 LORD KELVIN, LL.D., D.C.L., F.R.S., F.R.S.E., etc., Glasgow (*Hon. Member*).
 JOHN W. KIPPEN, Blackness Public School, Dundee.
 CARGILL G. KNOTT, D.Sc., F.R.S.E., Lecturer on Applied Mathematics, University, Edinburgh.
 P. R. SCOTT LANG, M.A., B.Sc., F.R.S.E., Professor of Mathematics, University, St Andrews.
- 65 GEORGE LAWSON, M.A., George Watson's College, Edinburgh.
 ROBERT LEES, M.A., B.Sc., George Watson's College, Edinburgh.
 WM. A. LINDSAY, M.A., U.F. Training College, Cowcaddens, Glasgow (*Co-Editor of Proceedings*).
 J. BARRIE LOW, M.A., Wrenschtown House, Observatory Road, Cape Town.
 E. O. LOVETT, Professor of Mathematics, Princeton University, New Jersey, U.S.A.
- 70 JAS. M'CUBBIN, B.A., F.R.S.E., Rector, The Academy, Kilsyth.
 WM. M'CUTCHEON, B.Sc., Symington, Kilmarnock.
 JAS. A. MACDONALD, M.A., B.Sc., F.R.S.E., H.M.I.S., Summer-side Street, Leith.
 J. A. MACDONALD, M.A., B.Sc., George Watson's Ladies' College, Edinburgh.
 W. J. MACDONALD, M.A., F.R.S.E., Daniel Stewart's College, The Dean, Edinburgh.

75. D. C. M'INTOSH, M.A., Ladies' College, Queen Street, Edinburgh (*Hon. Secretary*).
 Rev. JOHN MACK, B.D., Douglas Cottage, Baillieston, Glasgow.
 ALEX. C. MACKAY, M.A., B.Sc., Rector, High School, Falkirk.
 J. S. MACKAY, M.A., LL.D., F.R.S.E., The Academy, Edinburgh (*Hon. Member*).
 Rev. JOHN MACKENZIE, M.A., Professor, U.F.C. College, Madras.
- 80 P. MACKINLAY, M.A., Rector, Church of Scotland Training College, Edinburgh.
 ANGUS M'LEAN, B.Sc., C.E., Principal, Technical College, Paisley.
 DONALD MACMILLAN, M.A., Clifton Bank School, St Andrews.
 J. CHRYSAL MACMILLAN, M.A., B.Sc., Corstorphine Hill House, Edinburgh.
 ARTEMAS MARTIN, M.A., Ph.D., LL.D., U.S. Coast Survey Office, Washington, D.C., U.S.A.
 J. B. MEIKLEJOHN, M.A., High School, Dundee.
- 85 JOAQUIN DE MENDIZÁBAL Y FAMBORREL, Professeur de Mathématique, Palma, 13, Mexico.
 JOHN MILLAR, M.A., West of Scotland Technical College, Glasgow.
 W. J. MILLAR, C.E., late Secretary, Instit. Engineers and Ship-builders in Scotland, 31 Marine Place, Rothesay.
 T. HUGH MILLER, M.A., Training College, Isleworth, near London.
 ARCHIBALD MILNE, M.A., B.Sc., 5 Elgin Terrace, Edinburgh.
- 90 A. C. MITCHELL, D.Sc., F.R.S.E., Principal, Maharajah's College, Trevandrum, Travancore, India.
 HUGH MITCHELL, High Losset Farm, Machrihanish.
 JAS. MITCHELL, M.A., B.Sc., The Academy, Nairn.
 JAS. MITCHELL, M.A., Headmaster, Public School, Burntisland.
 GEORGE L. MOFFAT, M.A., B.Sc., The Academy, Glasgow.
- 95 ALEXANDER MORGAN, M.A., D.Sc., F.R.S.E., Church of Scotland Training College, Edinburgh.
 J. T. MORRISON, M.A., B.Sc., F.R.S.E., Professor of Physics, Stellenbosch, Cape Colony.
 THOMAS MUIR, M.A., LL.D., F.R.S.E., Yowbray Hall, Rosebank, Cape Colony.
 R. FRANKLIN MUIRHEAD, M.A., B.Sc., 24 Kerrsland Street, Hillhead, Glasgow.
 ASUTOSH MUKHOPADHYĀY, M.A., LL.D., F.R.A.S., F.R.S.E., Professor of Mathematics, Bhowanipore, Calcutta.

- 100 CHARLES NIVEN, M.A., D.Sc., F.R.S., Professor of Natural Philosophy, University, Aberdeen (*Hon. Member*).
 THOMAS NISBET, M.A., 4 Nisbet Street, Parkhead, Glasgow.
 R. T. OMOND, F.R.S.E., 1 Newbattle Terrace, Edinburgh.
 JOHN T. PEARCE, B.A., Science College, Leith.
 FRANK PEARSON, M.A., George Watson's College, Edinburgh.
- 105 WILLIAM PEDDIE, D.Sc., F.R.S.E., Lecturer on Natural Philosophy, University, Edinburgh.
 DAVID L. PHEASE, M.A., Public School, Turriff.
 WM. EDWARD PHILIP, M.A., 13 Kerrsland Terrace, Hillhead, Glasgow.
 ROBERT PHILIP, M.A., Hutcheson's Grammar School, Glasgow.
 PETER PINKERTON, M.A., Royal Academical Institution, Belfast.
- 110 R. H. PINKERTON, M.A., University College, Cardiff.
 Rev. GEORGE PIRIE, M.A., LL.D., Professor of Mathematics, University, Aberdeen.
 A. J. PRESSLAND, M.A., F.R.S.E., The Academy, Edinburgh.
 J. R. PULLAR, M.A., The Academy, Montrose.
 HARRY RAINY, M.A., M.D., F.R.S.E., 25 George Square, Edinburgh.
- 115 THOS. T. RANKIN, C.E., B.Sc., Principal, Technical School and Mining College, Coatbridge.
 DAVID RENNET, LL.D., 12 Golden Square, Aberdeen.
 JAMES RENNIE, B.Sc., Gordon's College, Aberdeen.
 WILLIAM RITCHIE, F.R.A.S., City Observatory, Calton Hill, Edinburgh.
 ALEX. D. RUSSELL, B.Sc., High School, Falkirk.
- 120 A. RITCHIE SCOTT, B.Sc., The Academy, Alloa.
 CHARLOTTE ANGAS SCOTT, D.Sc., Professor of Mathematics, Bryn Mawr College, Pennsylvania, U.S.A.
 R. F. SCOTT, M.A., St John's College, Cambridge.
 ALEX. SHAND, Natural Philosophy Laboratory, University, Edinburgh.
 EDWARD SMART, B.A., B.Sc., The Academy, Perth.
- 125 FRANK SPENCE, M.A., B.Sc., F.P.S.E., Free Church Training College, Edinburgh.
 T. B. SPRAGUE, M.A., LL.D., F.R.S.E., 29 Buckingham Terrace, Edinburgh.
 J. E. A. STEGGALL, M.A., Professor of Mathematics, University College, Dundee.

- ADAM B. STEWART, M.A., School of Agriculture, Ghizeh, Cairo, Egypt.
- J. B. SIMPSON STORREY, Queen's Service College, 61 Chancery Lane, London.
- 130 WALTER STOTT, 4 Grasmere Drive, Sea View Road, Liscard.
 JAMES STRACHAN, M.A., 137 Warrender Park Road, Edinburgh.
 JAMES TAYLOR, M.A., F.R.S.E., The Academy, Edinburgh.
 W. S. TEMPLETON, M.A., B.Sc., Central Technical College, South Kensington, S.W.
 J. A. THIRD, M.A., D.Sc., Spier's School, Beith.
- 135 GEORGE THOM, M.A., LL.D., The Institution, Dollar.
 ANDREW THOMSON, M.A., D.Sc., F.R.S.E., The Academy, Perth.
 WM. THOMSON, M.A., B.Sc., F.R.S.E., Registrar to the Cape University, Cape Colony.
 W. L. THOMSON, M.A., George Heriot's School, Edinburgh.
 ROBERT TUCKER, M.A., Hon. Sec., London Mathematical Society, 24 Hillmarton Road, London, N.
- 140 JOHN TURNER, M.A., B.Sc., Royal High School, Edinburgh.
 CHARLES TWEEDIE, M.A., B.Sc., F.R.S.E., Lecturer in Mathematics, University, Edinburgh (*Co-Editor of Proceedings*).
 DAVID TWEEDIE, M.A., B.Sc., Ras-el-Tin Government School, Alexandria, Egypt.
 SAMUEL WALKER, M.A., D.Sc., George Heriot's School, Edinburgh.
 A. G. WALLACE, M.A., Headmaster, Central Public School, Aberdeen.
- 145 W. WALLACE, M.A., F.R.S.E., Principal, Southern Higher Grade School, Leeds.
 W. G. WALTON, F.F.A., Scottish Provident Office, 6 St Andrew Square, Edinburgh.
 T. P. WATSON, M.A., B.Sc., F.R.S.E., George Watson's College, Edinburgh.
 JOHN C. WATT, M.A., Jesus College, Cambridge.
 JAMES MACPHERSON WATTIE, M.A., B.A., H.M.I.S., Earlsmount, Fife-Keith, Banffshire.
- 150 JOHN WEIR, M.A., Professor of Mathematics, Mysore, India.
 WILLIAM WELSH, M.A., Jesus College, Cambridge.
 JOHN W. WHITE, Lorne Street Public School, Leith.
 WM. WYPER, C.E., 10 Highburgh Terrace, Dowanhill, Glasgow.
 W. YOUNG, F.F.A., 19 George Street, Edinburgh.

The following Presents to the Library have been received, for which the Society tenders its grateful thanks.

1. **Proceedings of the London Mathematical Society.**
Nos. 722-758.
2. **Memoirs and Proceedings of the Manchester Literary and Philosophical Society.**
Vol. XLIV.—Parts 4-5.
Vol. XLV.—Parts 1-3.
3. **Proceedings of the Cambridge Philosophical Society.**
Vol. XI., 1-2.
4. **Bulletin of the American Mathematical Society.**
Second Series.—Vol. VII., 1-8.
5. **Transactions of the American Mathematical Society.**
Vol. II.—No. 1.
6. **Annals of Mathematics.** Published under the auspices of the University of Virginia.
Vol. II. of Second Series.—Nos. 1-3.
7. **Proceedings of the American Philosophical Society (Philadelphia).**
Vol. XXXVIII.—No. 160.
8. **Mathematical Gazette.** Nos. 23-28.
9. **Annales de la Faculté des Sciences de Marseille.**
Tome XI.—Fasc. 1-6.
10. **Bulletin de la Société Mathématique de France.**
Vol. XXIX.—Nos. 1-2.
11. **Journal de Mathématiques Élémentaires.**
Publié par M. H. VUIBERT.
Nos. 1-19. 1900-1901.
12. **Journal de Mathématiques Élémentaires.**
Publié sous la direction de M. GEORGES MARIAUD.
Nos. 1-9. 1900-1901.

13. **Journal de Mathématiques Spéciales.**
Publié sous la direction de **M. GEORGES MARIAUD.**
Nos. 1-9. 1900-1901.
14. **Il Pitagora, Gioronale de Matematica.**
Anno 7. Nos. 1-2.
15. **Mathematisch-naturwissenschaftliche Mitteilungen im Auftrag des
mathematisch-naturwissenschaftlichen Vereins in Württemberg.**
Zweite Serie. Dritter Band. Zweites Heft. Erstes Heft.
16. **Revue Semestrielle des Publications Mathématiques.** Published
under the auspices of the **Mathematical Society of Amsterdam.**
Vol. ix.—Part 1.
17. **New Laboratorum et Museum.** Berlin. 1900. Nos. 3-4.
18. **Mémoires de la Société Royale des Sciences de Liège.**
Second Series. Tom. II.
19. **Nieuw Archief voor Wiskunde.**
Tweede Reeks. Deel v., 1-3.
20. **Jornal de Sciencias Mathematicas e Astronomicas.**
Publicado pelo Dr **F. GOMES TEIXEIRA.**
Vol. xiv.—Nos. 3-4.
21. **Rendiconti del Circolo Mathematico di Palermo.**
Tomo xv.—Fasc. 1-4.
22. **Wiskundige Opgaven, Amsterdam.**
Vol. 8. Part 3.
23. **Revista Trimestral de matemáticas, Zaragoza.**
Año. 1. Núm. 1.
24. **Several extracts from various publications.**
By **M. M. D'OCAGNE** à Paris.
25. **The "Binary Canon."** By Lt.-Col. **CUNNINGHAM, R.E.** Presented
by the **British Assoc. Mathematical Tables Committee.**
26. **Journal of International Psychical Institute.** No. 1.
27. **Reciprocally connected figures.**
By Professor **EDALJI, Ahmedabad.**
28. **The Promotion of Research.**
By Dr **THOMAS MUIR.**

Fig. 1.

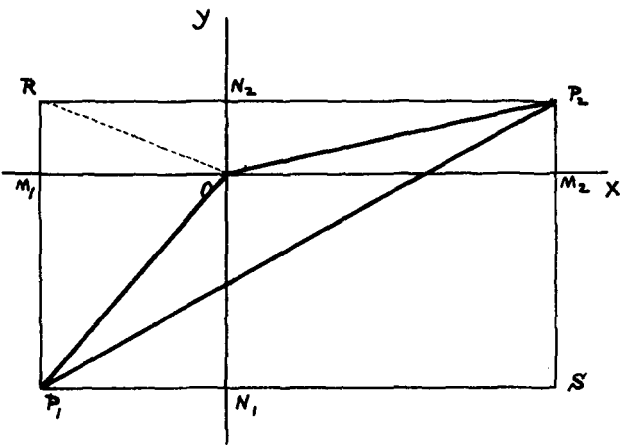
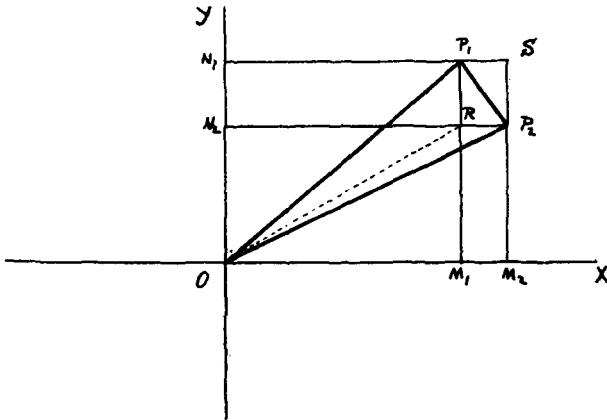


Fig. 2.

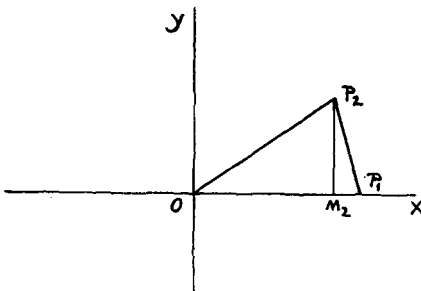


Fig. 3.

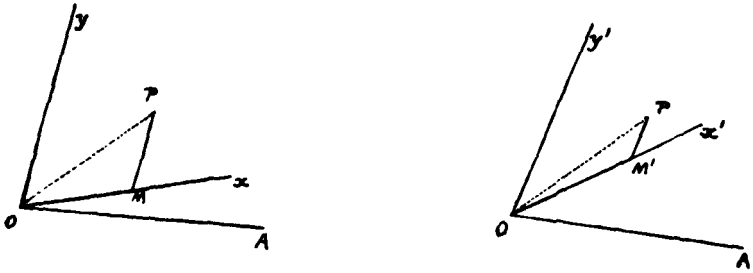


Fig. 4.

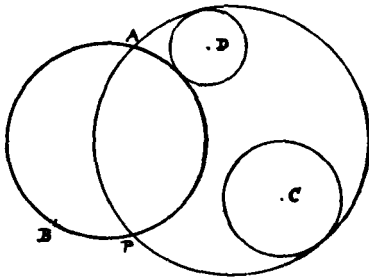


Fig. 5.

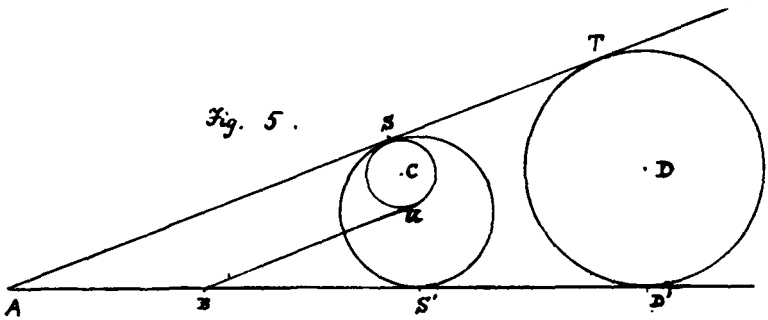
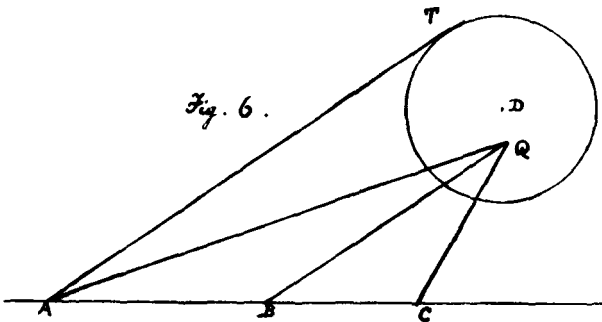
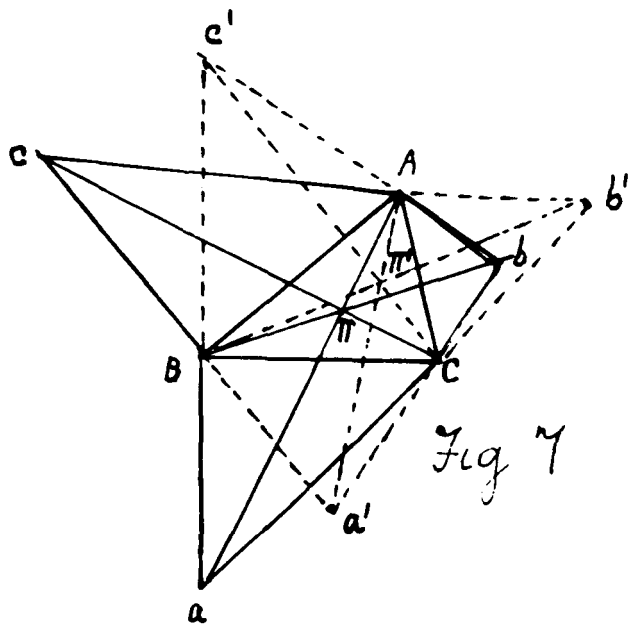
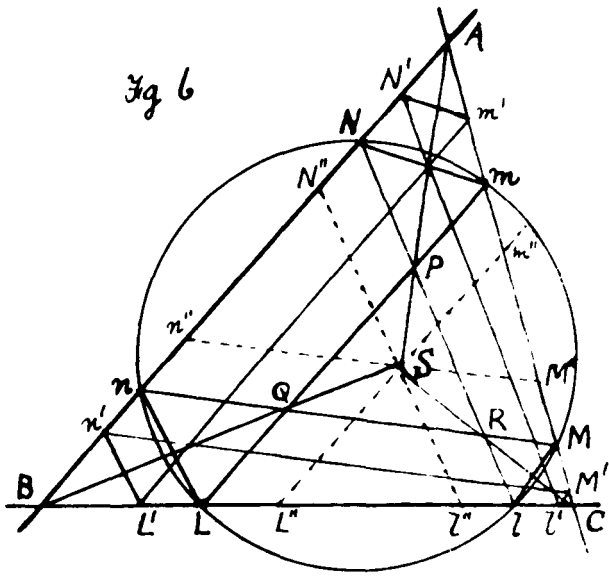


Fig. 6.





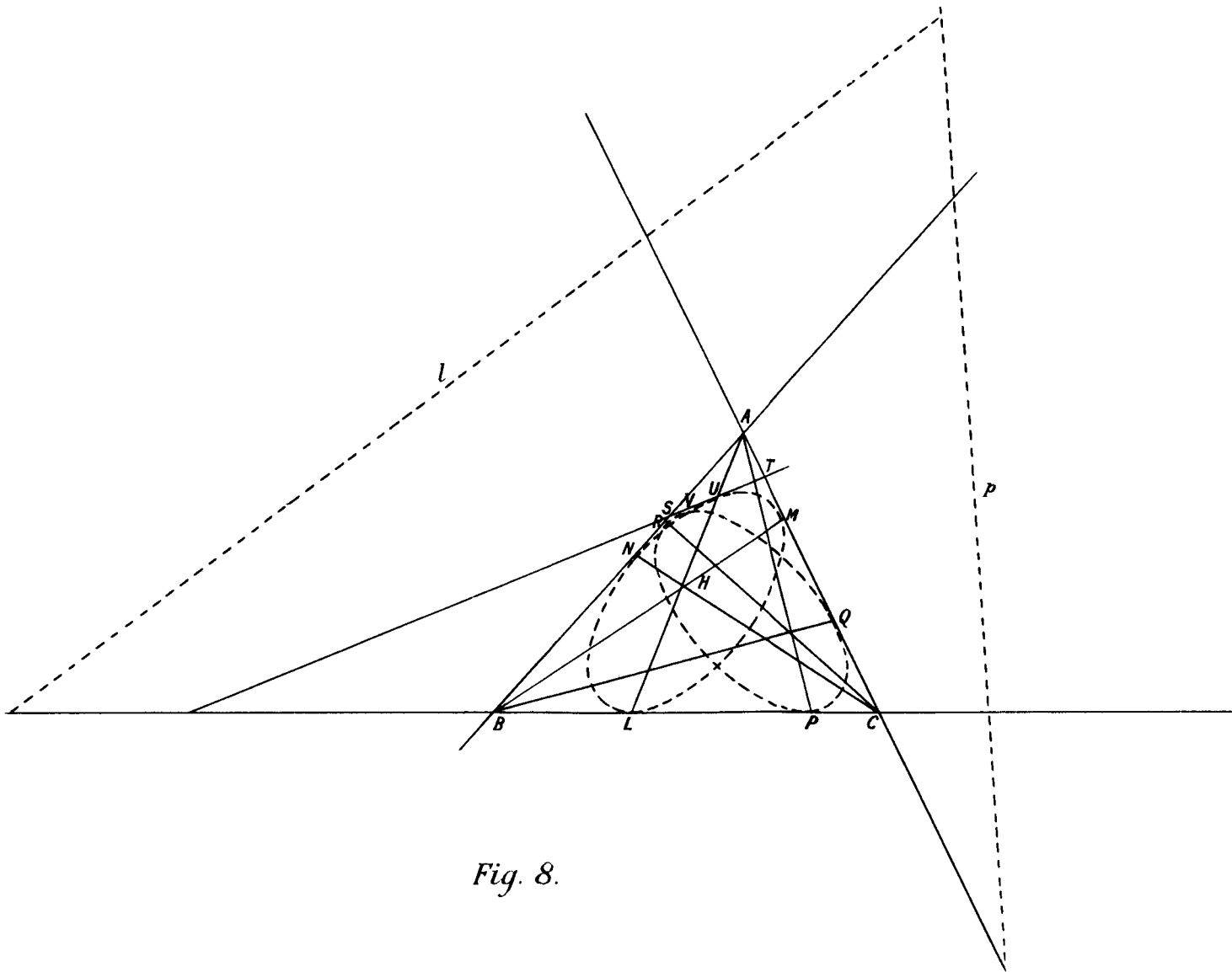


Fig. 8.

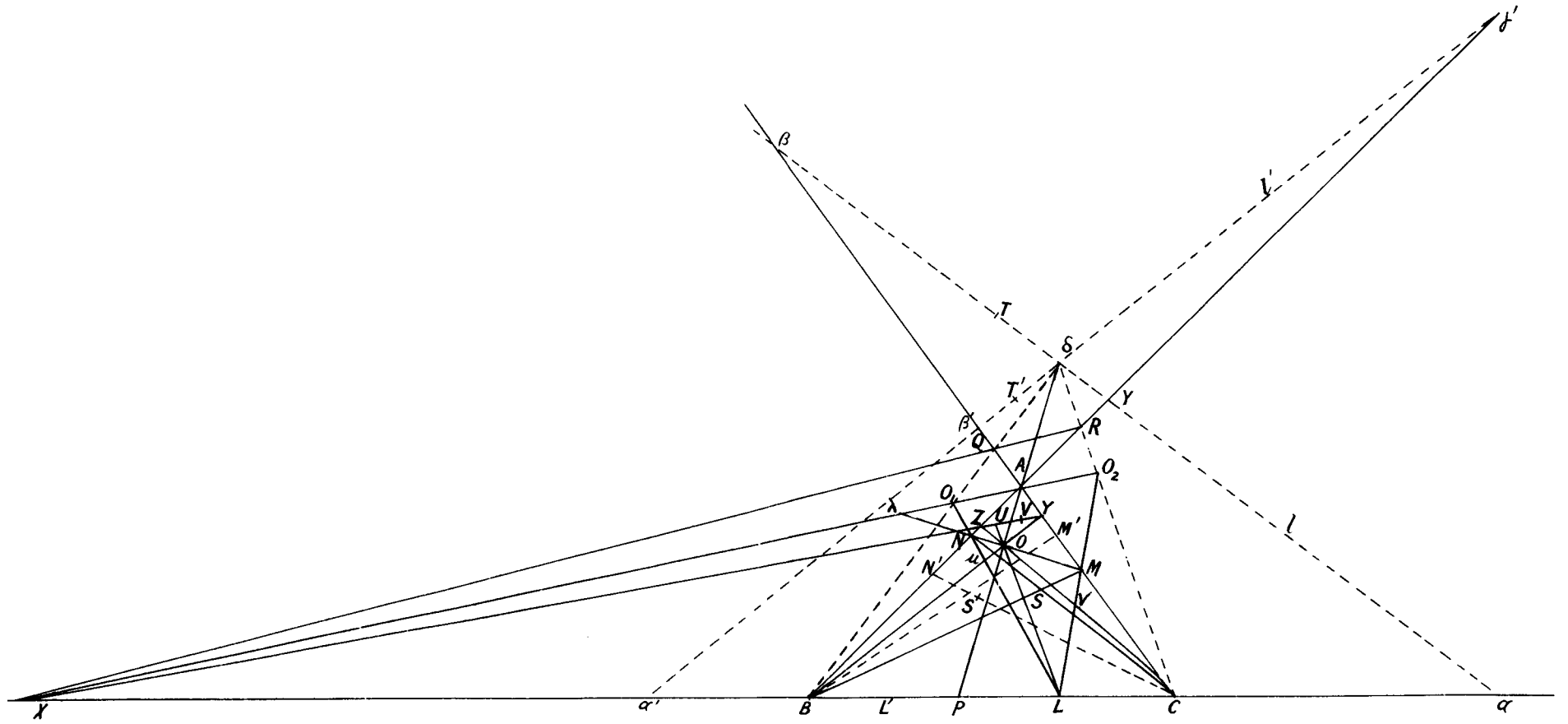


Fig. 9.

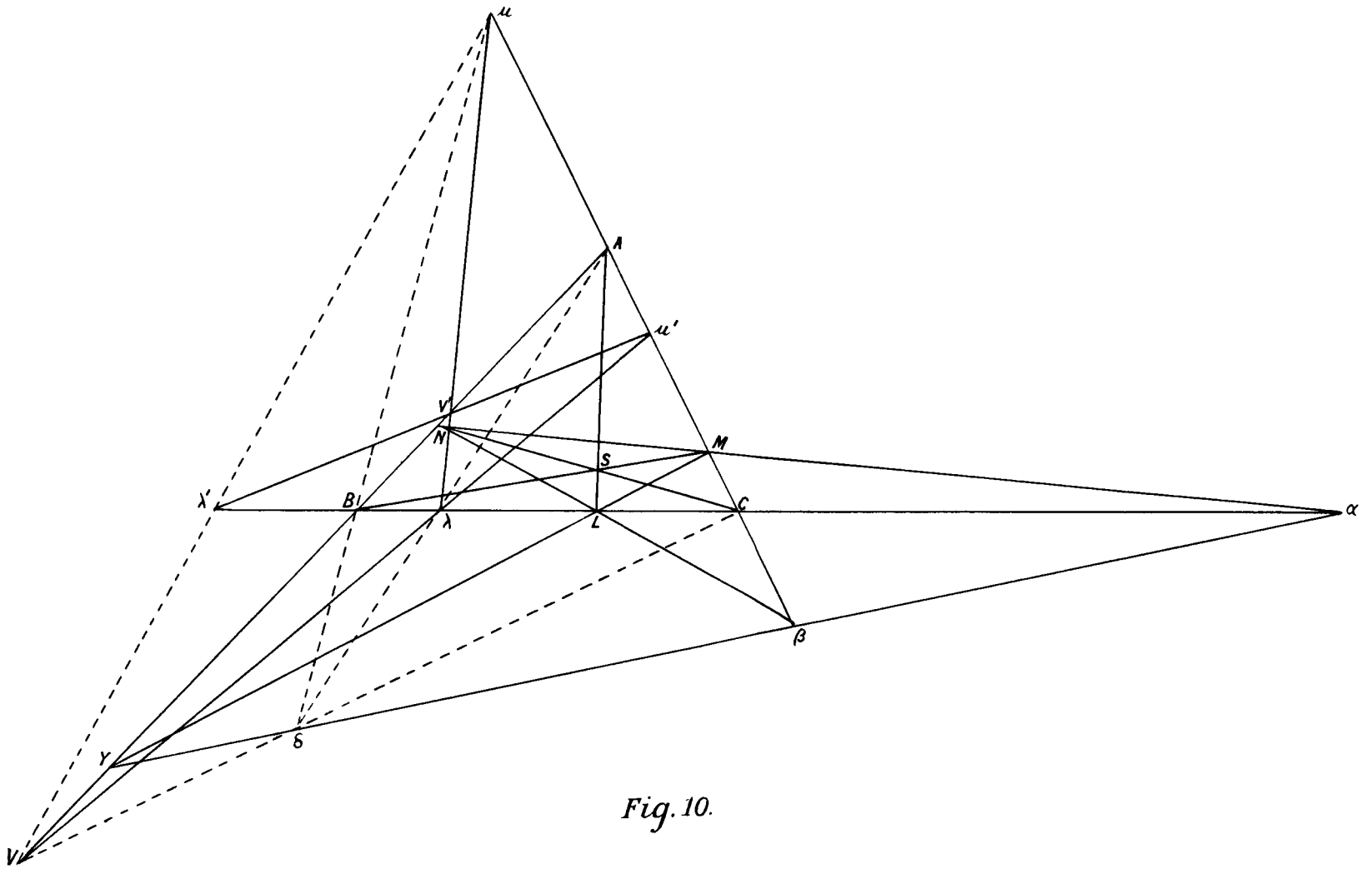


Fig. 10.

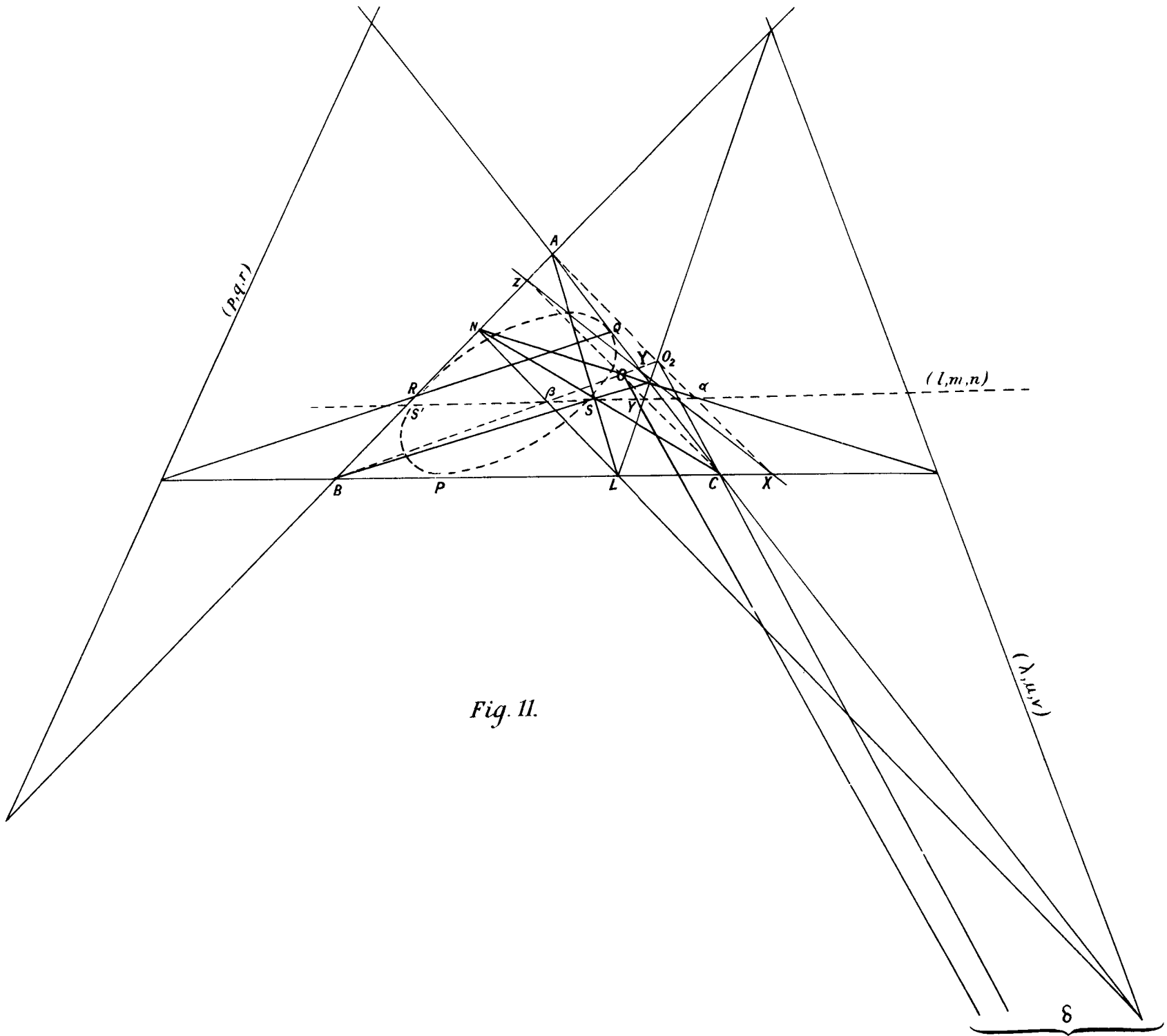


Fig. 11.

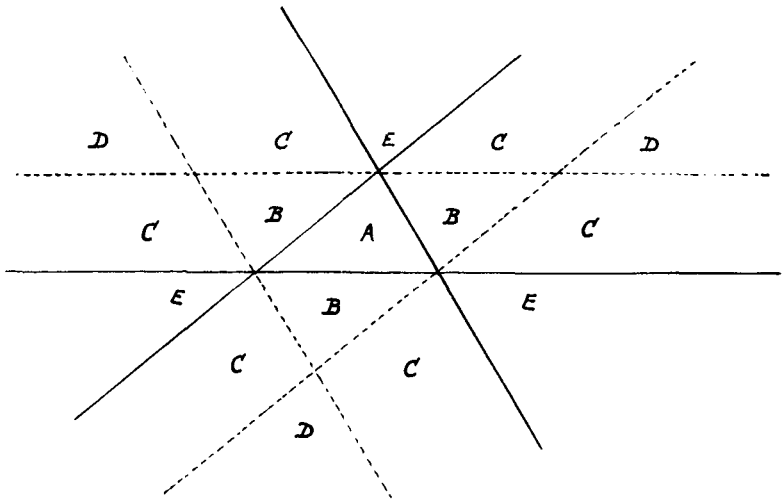
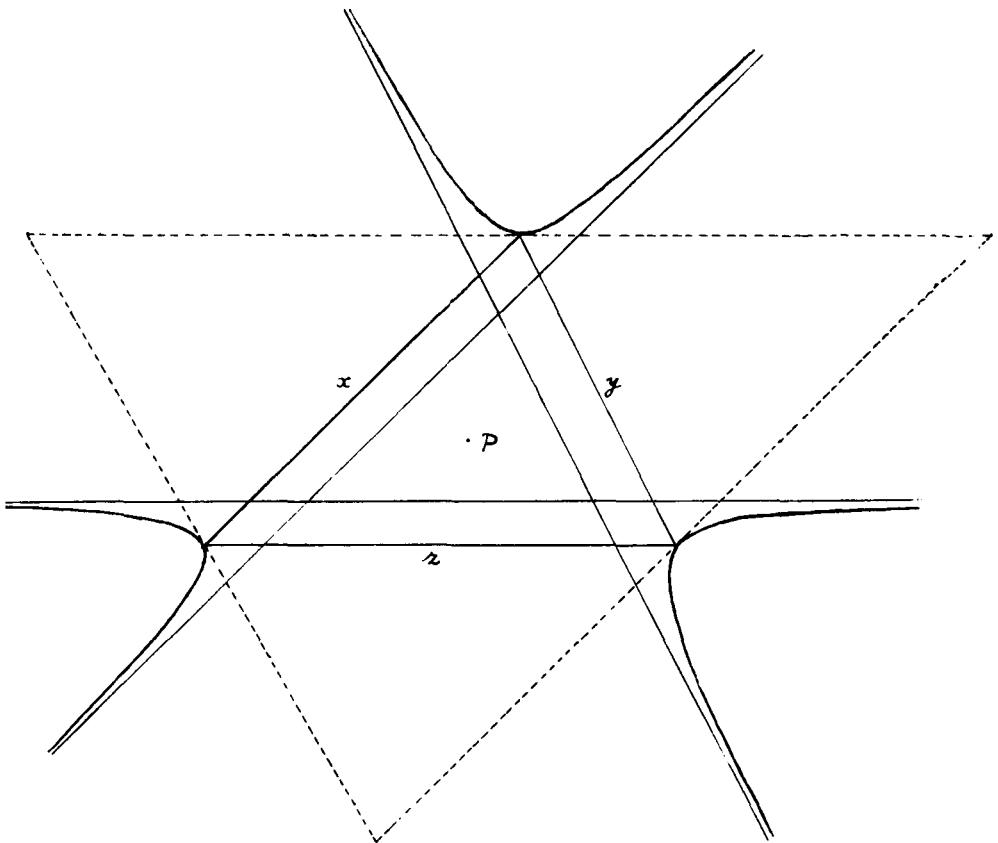
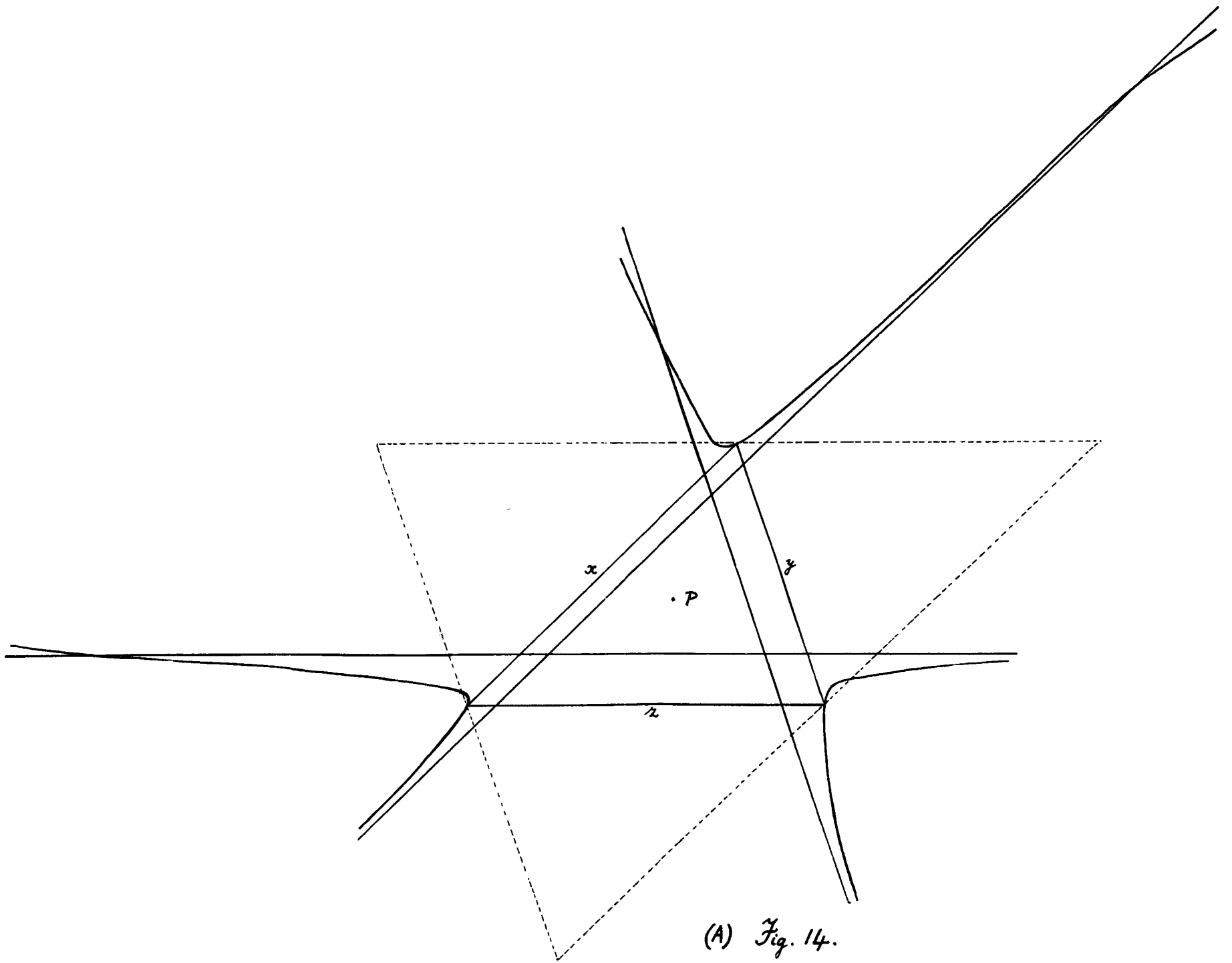


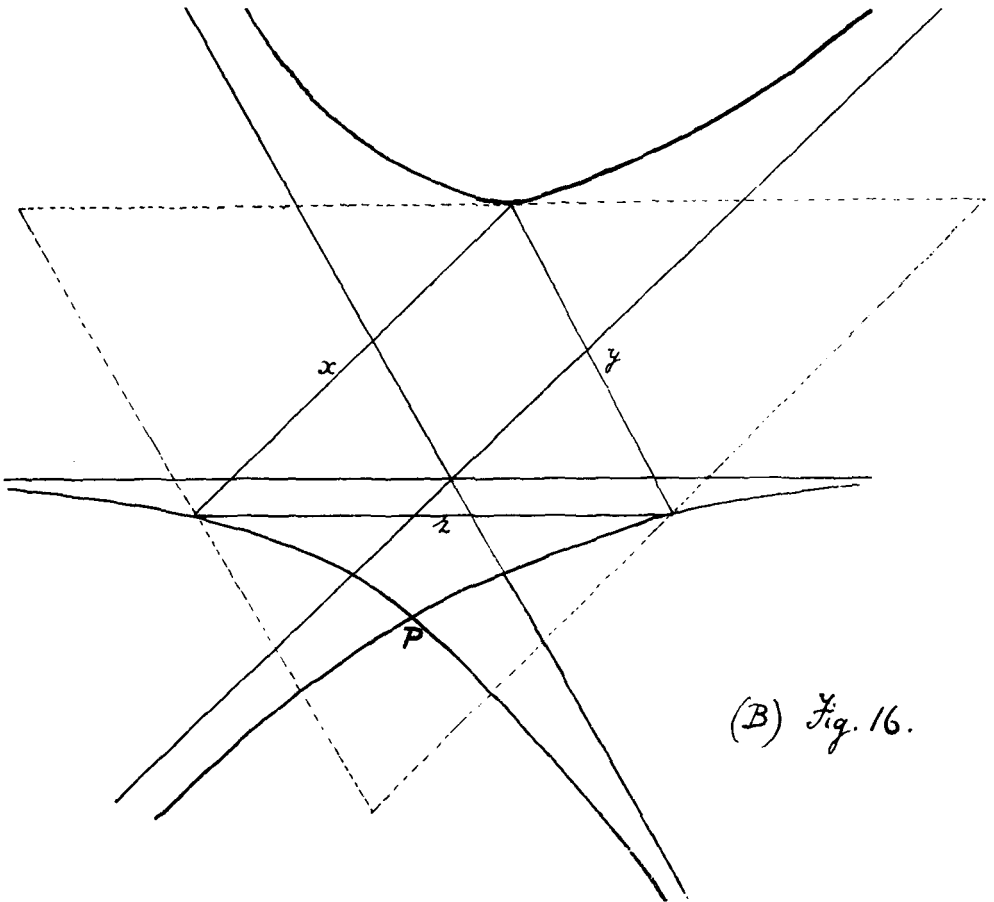
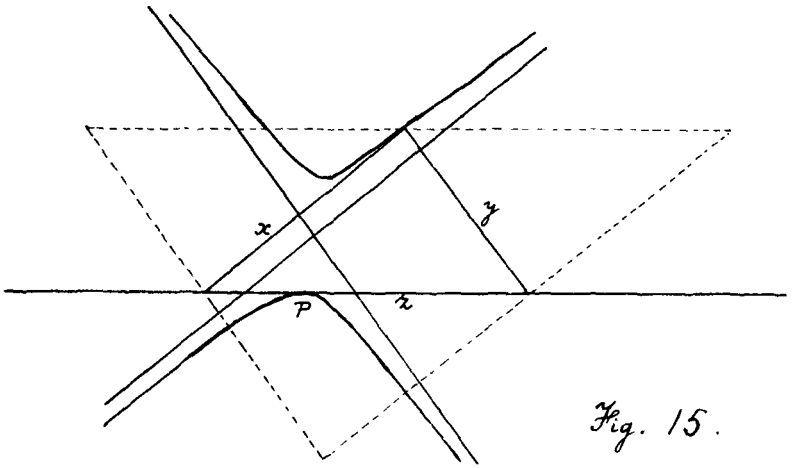
Fig. 12.



(A) Fig. 13.



(A) Fig. 14.



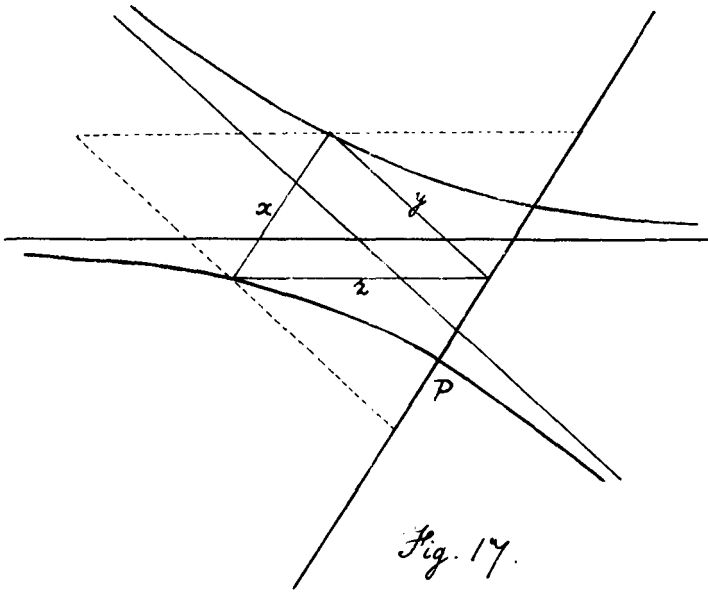
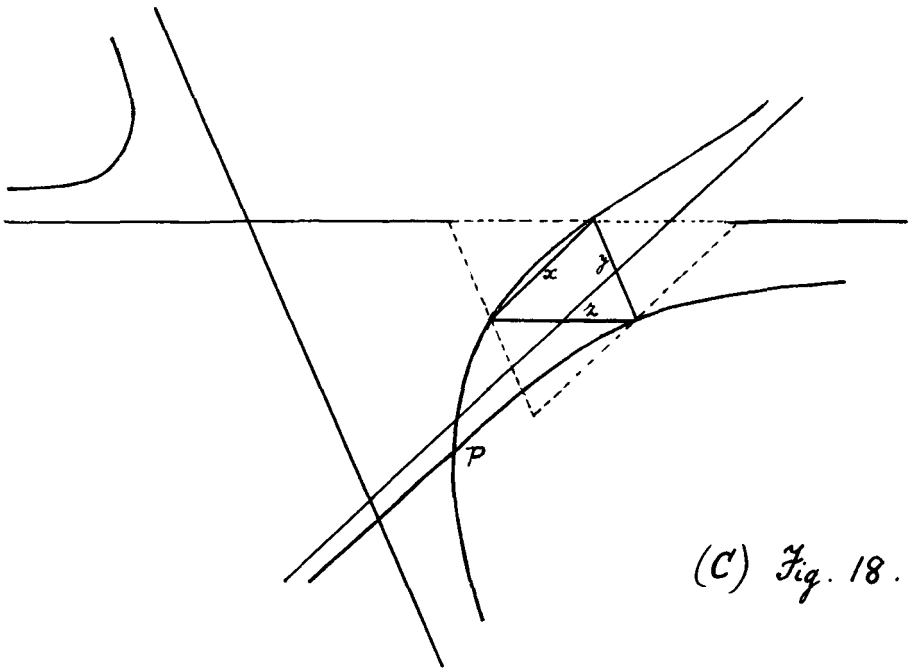


Fig. 17.



(C) Fig. 18.

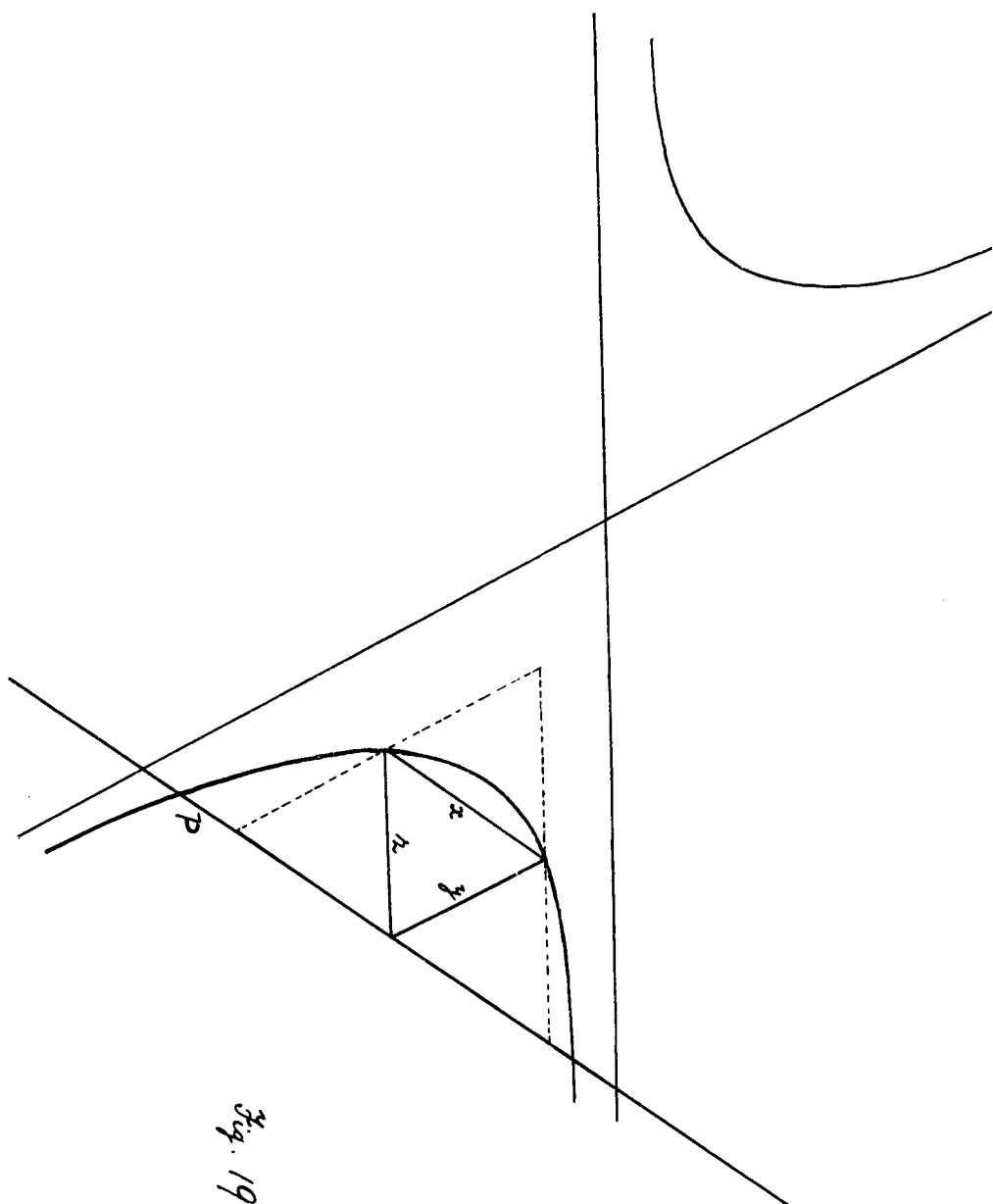
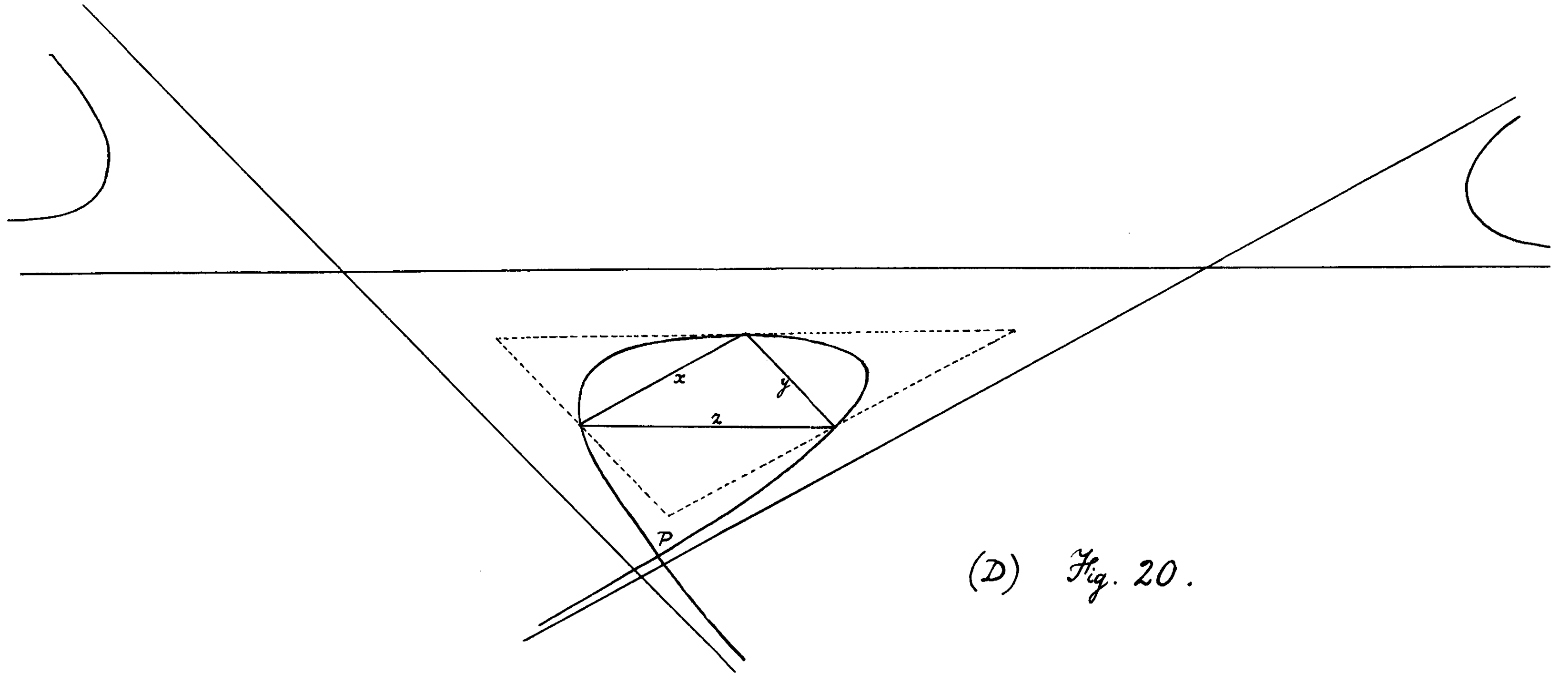
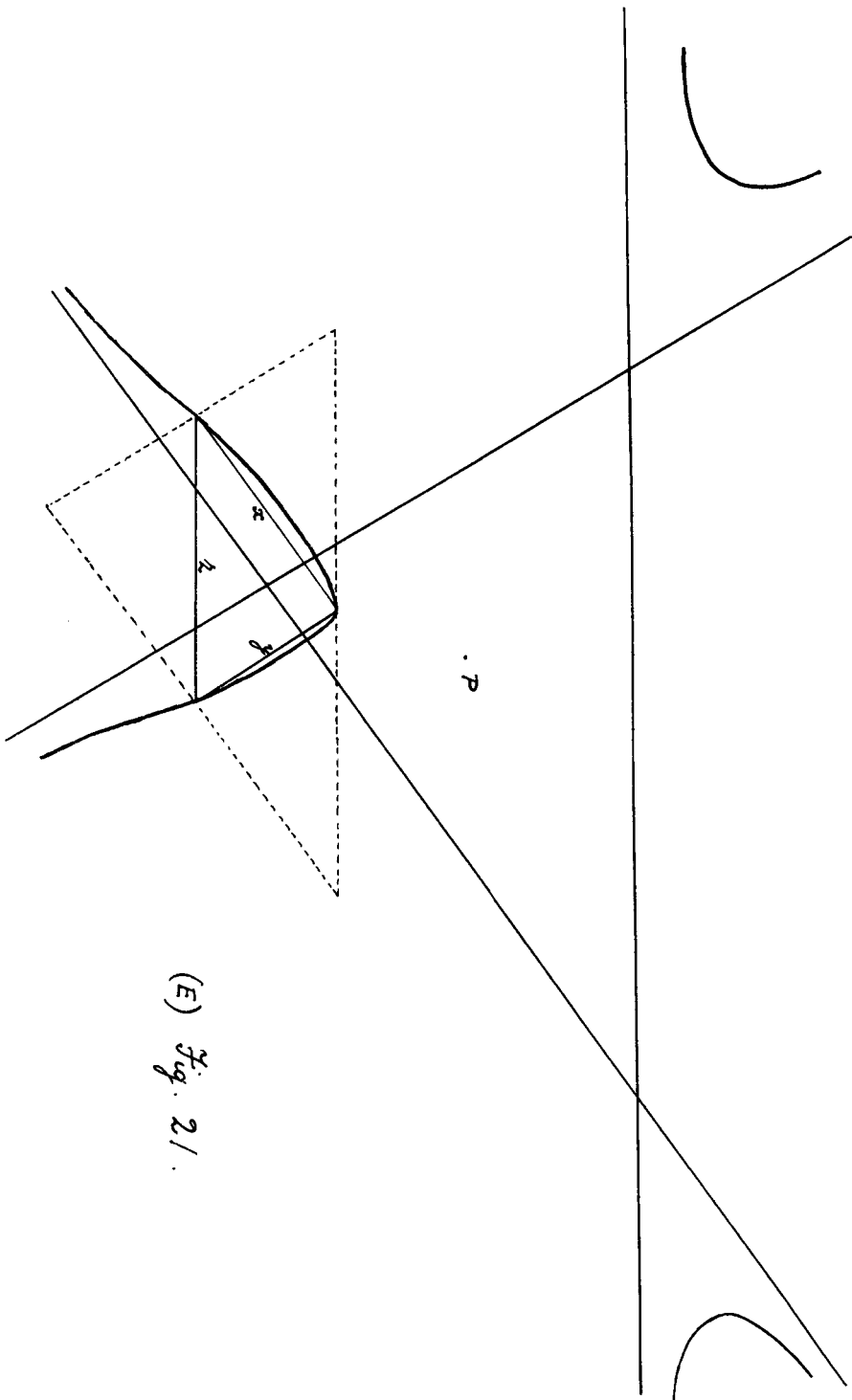


Fig. 19.



(D) Fig. 20.



(E) Fig. 21.